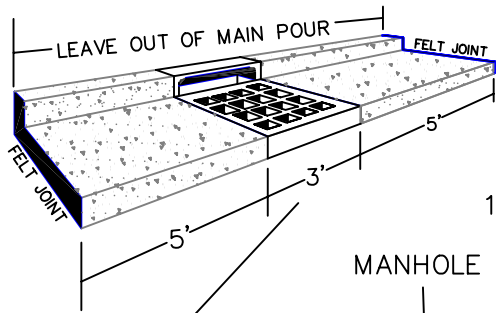
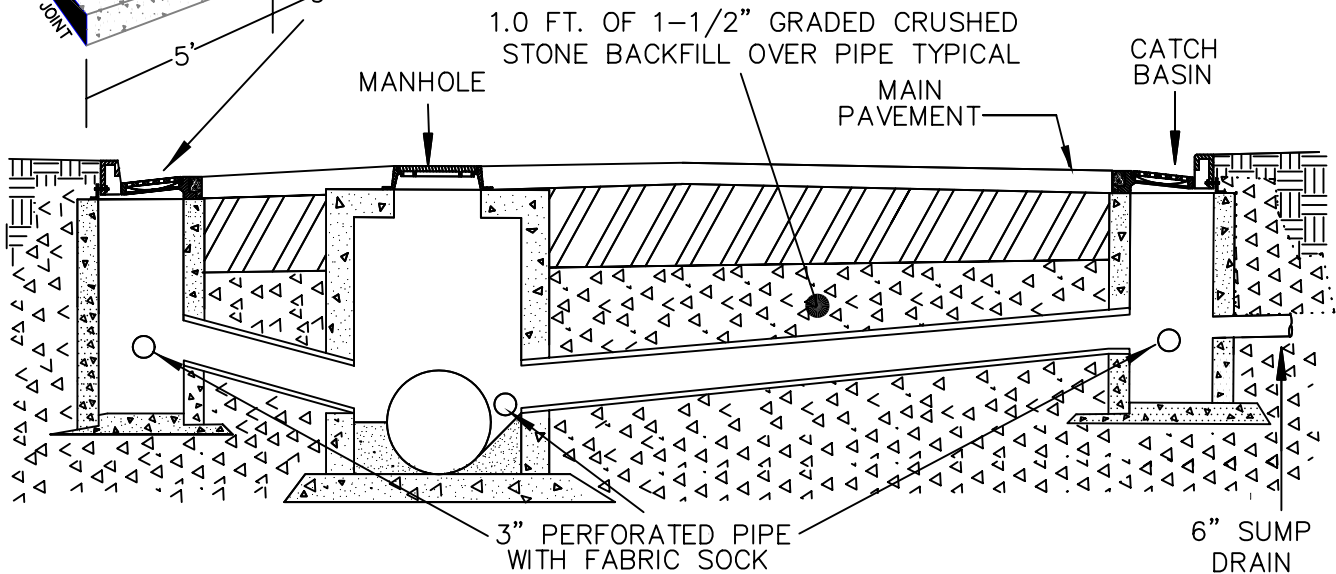


STANDARD INSTALLATION OF CATCH BASINS IN A ROADWAY

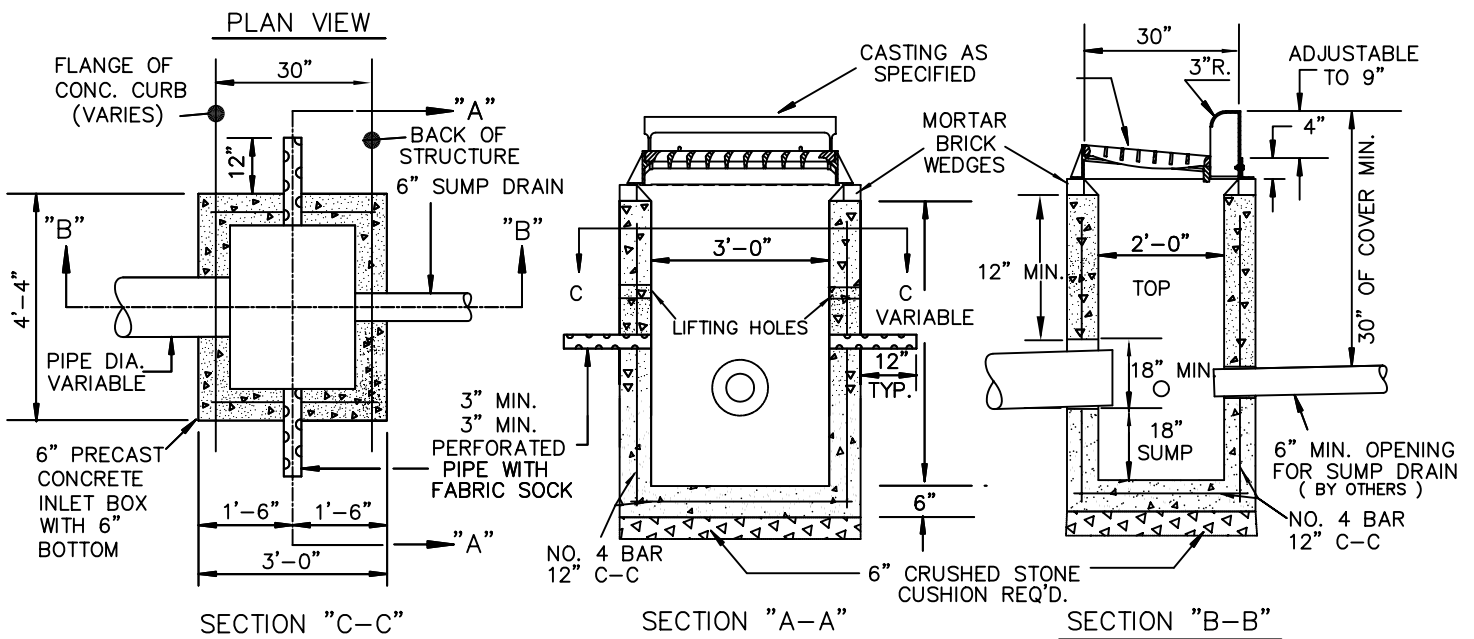


CATCH BASIN INSTALLATION NOTES

1. THE CATCH BASIN SHALL BE FORMED OUT & POURED INTEGRAL WITH THE CURB WITHIN THE TOP 12".
2. CATCH BASINS WHERE CURB WILL NOT BE PLACED SHALL BE BROUGHT TO GRADE WITH MORTAR & BLOCK.
3. TIE CURB & GUTTER TO MAIN POUR



STANDARD STRUCTURAL SPECIFICATIONS FOR CATCH BASINS



NOTES

1. STANDARD CASTING FOR MULTIDIRECTIONAL INFLOW IS A NEENAH FOUNDRY R-3246-A, WITH A TYPE A GRATE.
2. STANDARD CASTING FOR A SINGLE DIRECTION INFLOW IS A NEENAH FOUNDRY R-3246-AL, WITH A TYPE L GRATE.
3. STANDARD CASTING FOR AN INLET AT A DRIVEWAY OPENING IS A NEENAH FOUNDRY R-3290-A, WITH A TYPE A GRATE.
4. PROVIDE MINIMUM PIPE OPENINGS IN PRECAST STRUCTURES UNLESS OTHERWISE SPECIFIED

DIGGERS HOTLINE
 (800) 242-8511 (414) 259-1181
 www.diggershotline.com



Village of Whitefish Bay Engineering
 5300 N Marlborough Drive
 414-962-6690

CATCH BASIN STANDARDS

Scale = None	REV-JUN06
Sheet 1 of 1	DETAIL 10